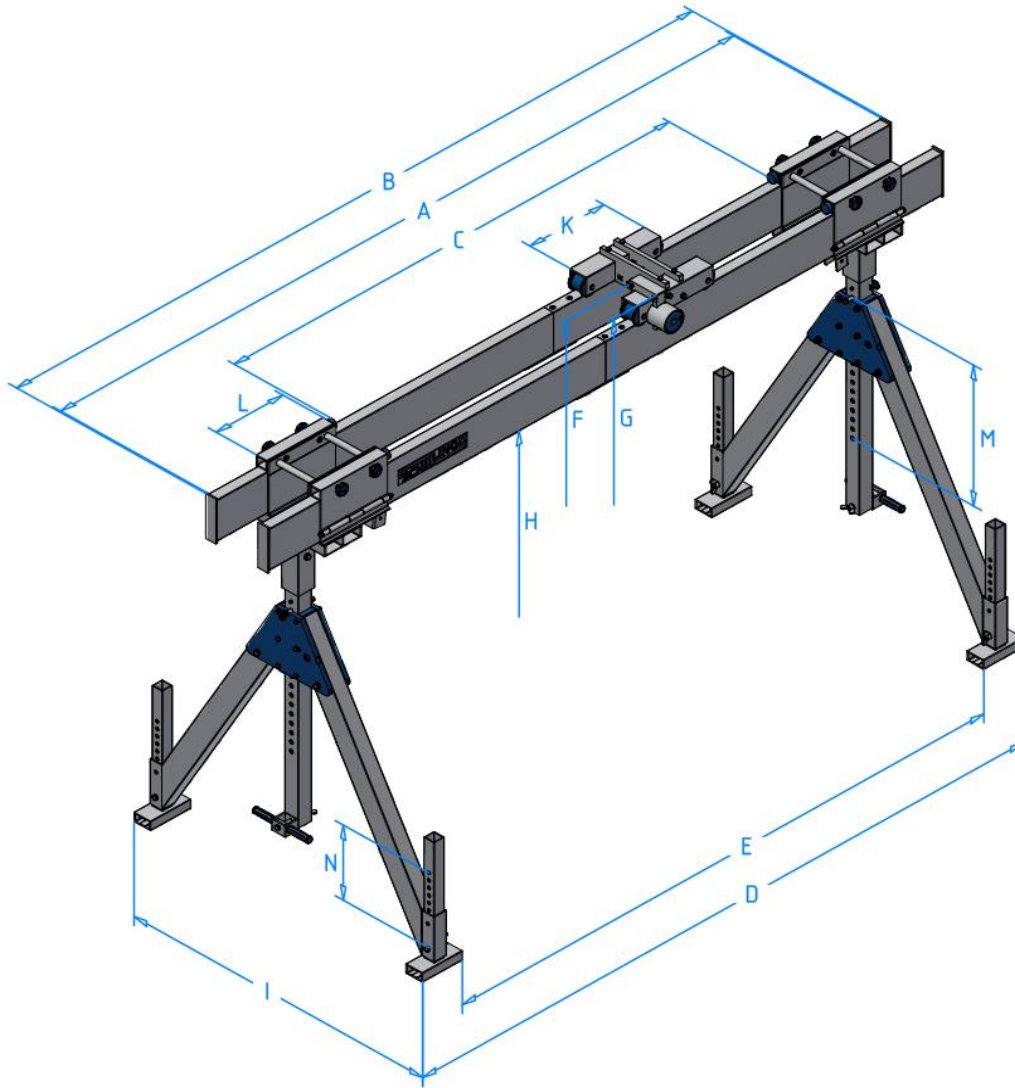


ALUMINIUM GANTRY CRANE, stationary model

load capacity 2.000 kg and 3.000 kg with double beam

SCHILLING

we lift it



item no.	load capacity	beam length			total width of the crane		suspension point at the bolt of the trolley		total height		lower edge alu beam		lateral stand width	park-brake trolley width	horizontal adjuster width	adjustment range		weight
		clear width	total	usable	outside	inside	min.	max.	min.	max.	min.	max.				beam support	adjustment foot	
	kg	A	B	C	D	E	F	G	H	I	K	L	M	N				kg
2.000 kg																		
1532040-10	2000	4000	4016	3158	4141	3650	2787	4337	2887	4437	2520	4070	2214	480	421	1150	400	285
1532050-10	2000	5000	5016	4158	5141	4650	2787	4337	2887	4437	2520	4070	2214	480	421	1150	400	303
1532060-10	2000	6000	6016	5158	6141	5650	2787	4337	2887	4437	2520	4070	2214	480	421	1150	400	320
1532070-10	2000	7000	7016	6158	7141	6650	2787	4337	2887	4437	2520	4070	2214	480	421	1150	400	397
1532080-10	2000	8000	8016	7158	8141	7650	2787	4337	2887	4437	2520	4070	2214	480	421	1150	400	423
3.000 kg																		
1533040-10	3000	4000	4016	3158	4141	3650	2787	4337	2887	4437	2520	4070	2214	480	421	1150	400	285
1533050-10	3000	5000	5016	4158	5141	4650	2787	4337	2887	4437	2520	4070	2214	480	421	1150	400	345
1533060-10	3000	6000	6016	5158	6141	5650	2787	4337	2887	4437	2520	4070	2214	480	421	1150	400	371